

ULTIMA Green Wall Wire Rope



Spiral Wire Rope for green wall



Specialized greening wire rope produced for green wall

Spiral wire rope features

- ❑ Plants entwine in spirals of coated resin coating
 - ✓ Helps plants to propagate naturally
 - ✓ Prevents plants from drooping due to wind.
 - ✓ Reduces heat burn of plants due to sunlight
- ❑ Easy installation by attaching the spring hooks of the wire rope ends directly to each support material.
 - Reduction of construction manpower and time
- ❑ Excellent building appearance due to the symmetry of the spring shape at both ends.

Spiral Wire Rope Roll + Spring grip



Spiral Wire Rope Roll



Spring with grip for Spiral wire rope

Spiral wire rope roll + spring grip features

- ❑ Installed in the right combination for the site, so there is little possibility of material shortages.
- ❑ No variation in wire rope tension no matter who installs the wire rope
- ❑ Easiest wire rope installation in the world

* Spiral Wire Rope Roll and spring grip are sold as a set, and the spring grip is not sold separately.

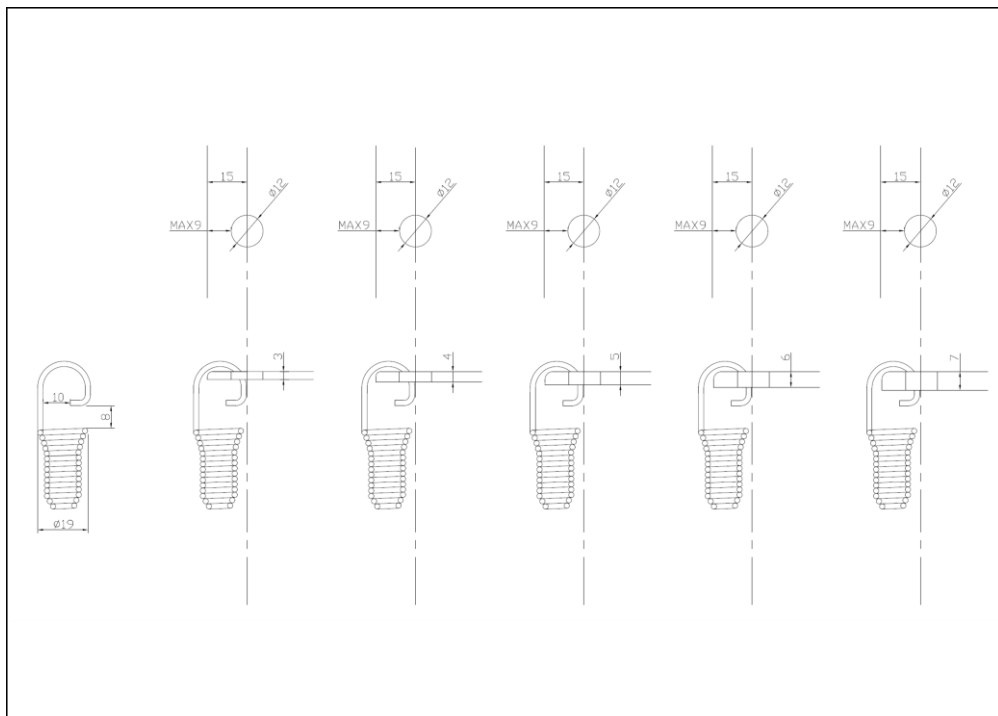
We cannot be held responsible for any problems that may occur if the spring grips are used for purposes other than spiral wire rope or green wall wire.

* Example: If the dimension between angles is 3,000mm, the wire cut dimension is 3,200mm

* Spiral wire rope roll : maximum length per wire should be 8,000mm.

For wire lengths longer than 5,000mm, we recommend installing L Angle (middle) or spacer eyebolt (middle) of the wire to prevent it from swaying.

Important : L Angle drilling dimensions and drilling positions



Product Specification



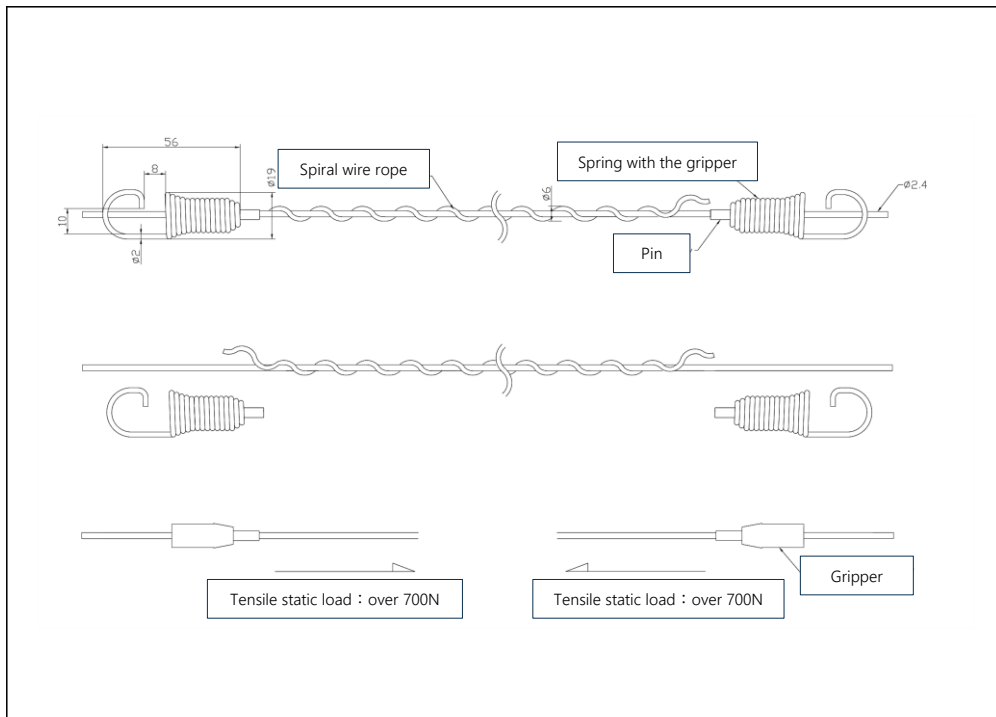
	Spiral Wire Rope Roll (SWR-100)	Spring with grip for Spiral wire rope
Material	stainless 304 (7×7, 12 Nylon resin coating)	Metal : stainless, Gripper : brass
Wire length	100m roll	-
Weight	25g/m	35g/set
Note	Wire rope size : $\phi 6$ (core wire : $\phi 2.4$) 50 spring grip / 100m roll	spring hook with gripper 50 spring grip / 100m roll

* Example: If the dimension between angles is 3,000mm, the wire cut dimension is 3,200mm

* Spiral wire rope roll : maximum length per wire should be 8,000mm.

For wire lengths longer than 5,000mm, we recommend installing L Angle (middle) or spacer eyebolt (middle) of the wire to prevent it from swaying.

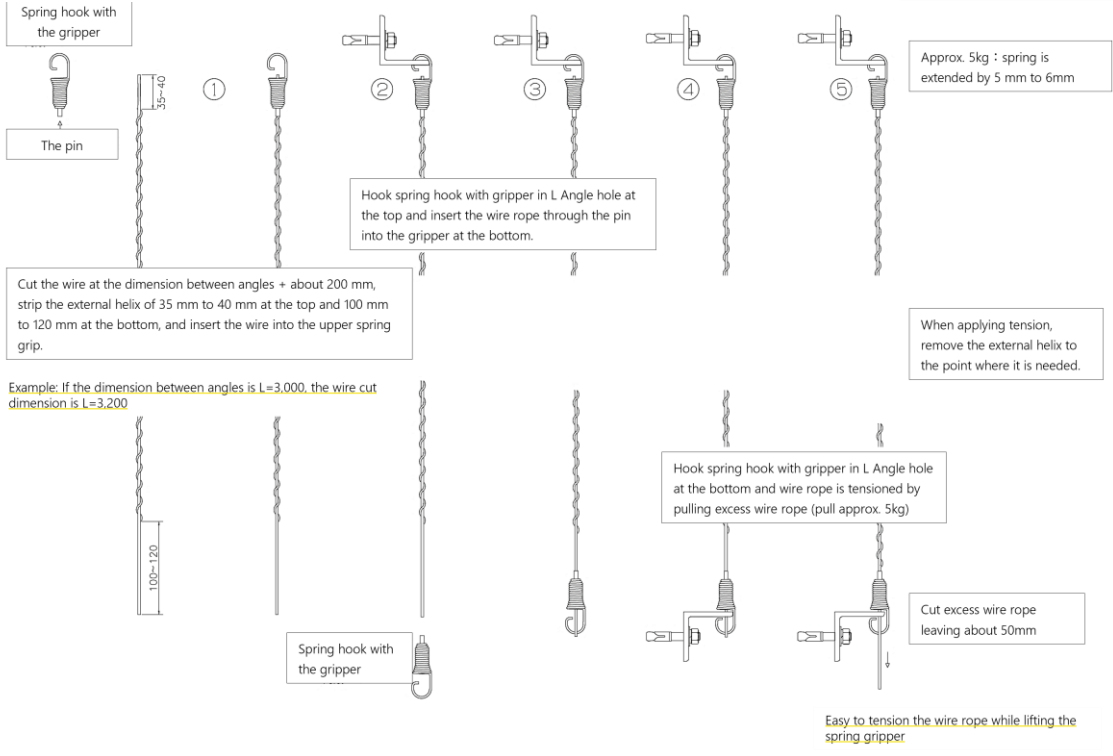
Drawing



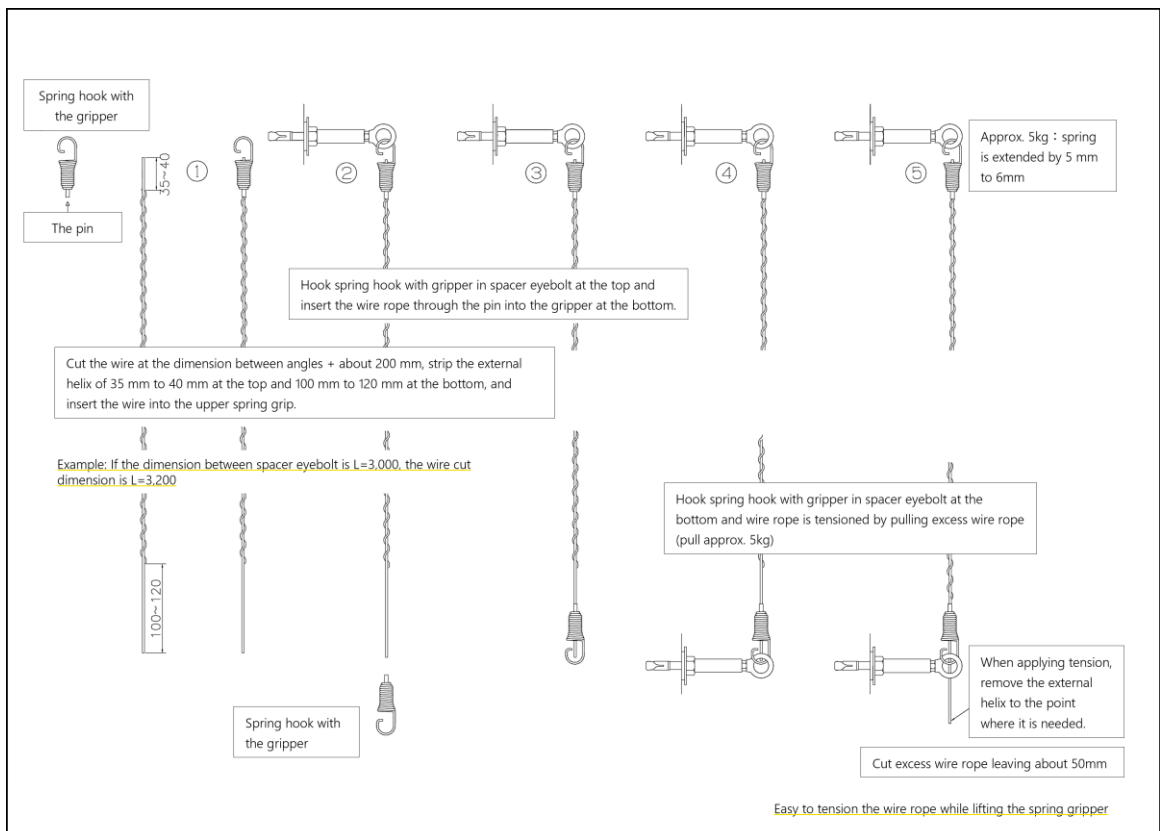


Work Instruction

L Angle × Spiral Wire Rope Roll + Spring with gripper for Spiral Wire Rope

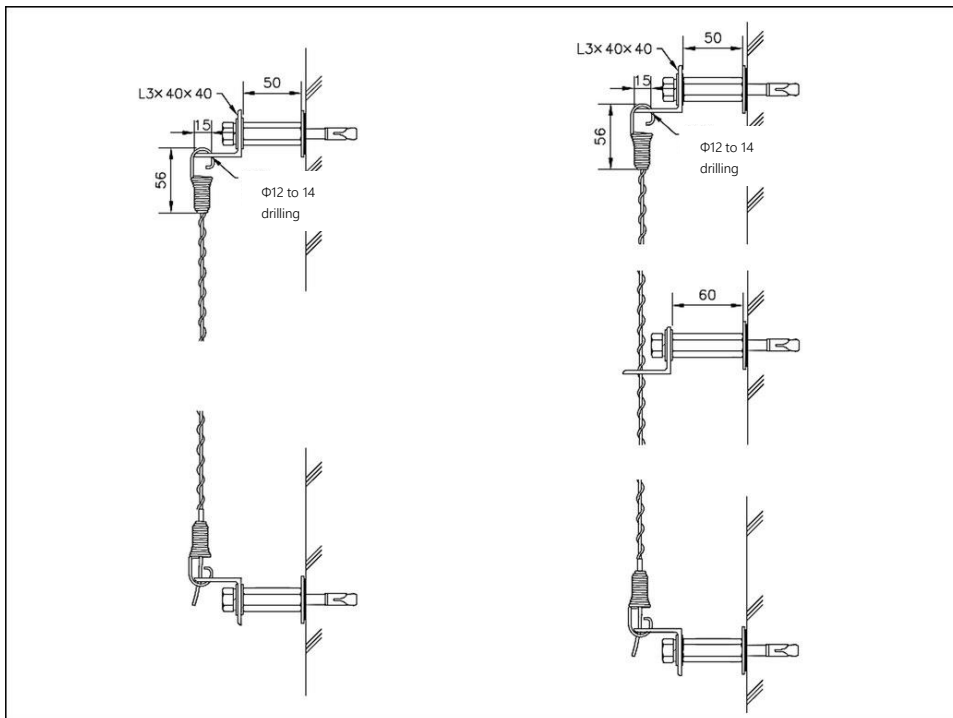


Spacer eyebolt × Spiral Wire Rope Roll + Spring with gripper for Spiral Wire Rope



Climbing Example : Components [L Angle]

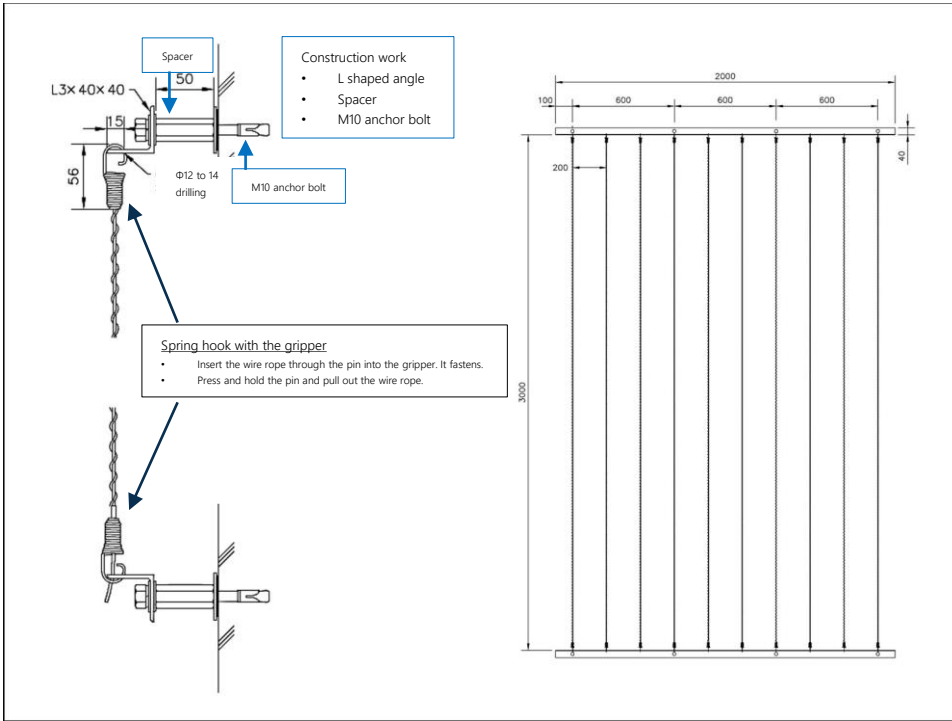
Not included : L Angle, spacers, anchor rod M10



Approx. 5,000 or less	Approx. 5,000 to 8,000
<ul style="list-style-type: none"> Spiral Wire Rope Set (5,000 or less) 	<ul style="list-style-type: none"> Spiral Wire Rope Set (5,000 to 8,000) L Angle (middle) * installation recommended
<ul style="list-style-type: none"> Spiral Wire Rope Roll (cut to 5,000 or less) Spring with grip × 2 pieces 	<ul style="list-style-type: none"> Spiral Wire Rope Roll (cut to 5,000 to 8,000) Spring with grip × 2 pieces L Angle (middle) * installation recommended

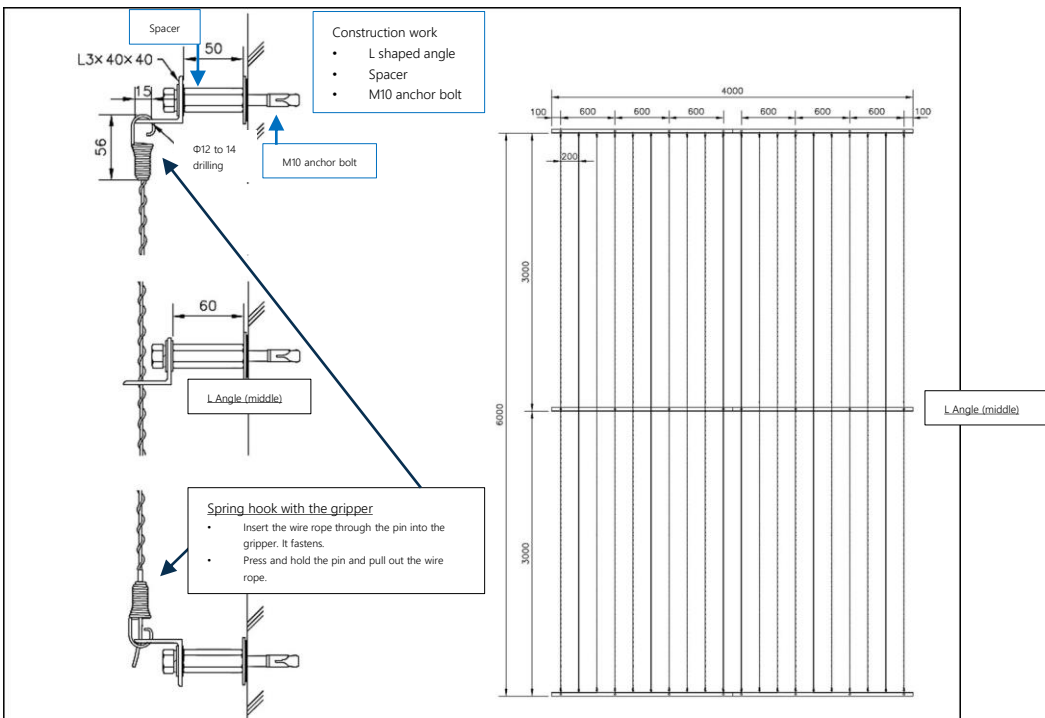
Approx. 5,000 or less

<p>Example : W2,000 × H3,000 ※wire rope spacing@200</p>	<ul style="list-style-type: none"> • <u>L Angle drilling size is φ12 (top and bottom)</u> • <u>L Angle hole drilling position specified</u>
<ul style="list-style-type: none"> • Spiral Wire Rope Roll 100m × 1 roll • Spring with grip × 20 pieces 	<ul style="list-style-type: none"> • Anchor rod dimensions are based on @600 • Standard wire rope spacing is about @200~300



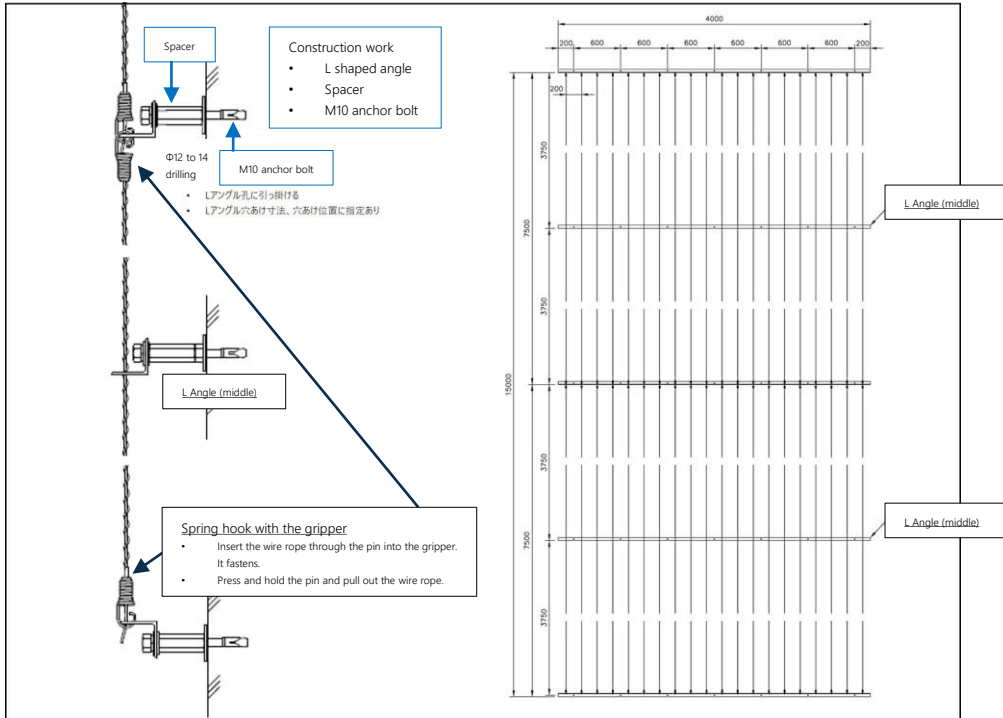
Approx. 5,000 to 8,000

<p>Example : W4,000 × H6,000 ※wire rope spacing@200</p>	<ul style="list-style-type: none"> • <u>Installation recommended : L Angle (middle)</u> • <u>L Angle drilling size is φ12 (top and bottom)</u> • <u>L Angle hole drilling position specified</u>
<ul style="list-style-type: none"> • Spiral Wire Rope Roll 100m × 2 rolls • Spring with grip × 40 pieces 	<ul style="list-style-type: none"> • Anchor rod dimensions are based on @600 • Standard wire rope spacing is about @200~300



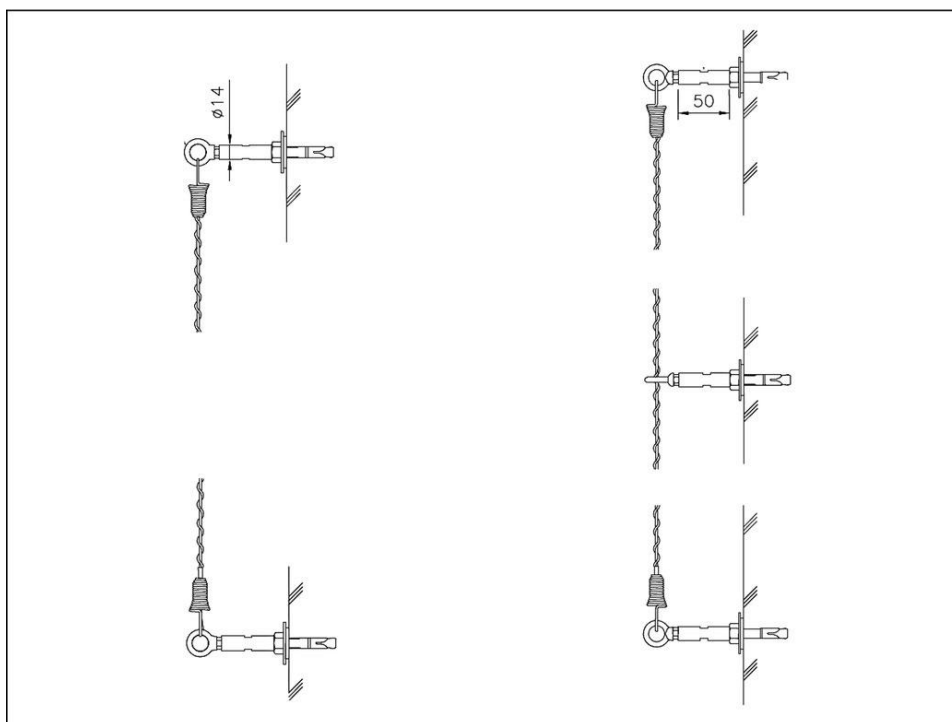
Approx. 8,000 or more

<p>Example : W4,000 × H15,000 ※wire rope spacing@200</p>	<ul style="list-style-type: none"> • <u>Installation recommended : L Angle (middle)</u> • <u>L Angle drilling size is φ12 (top and bottom)</u> • <u>L Angle hole drilling position specified</u> • Anchor rod dimensions are based on @600 • Standard wire rope spacing is about @200~300
<ul style="list-style-type: none"> • Spiral Wire Rope Roll 100m × 4 roll • Spring with grip × 80 pieces 	



Climbing Example : Components **【Spacer eyebolt】**

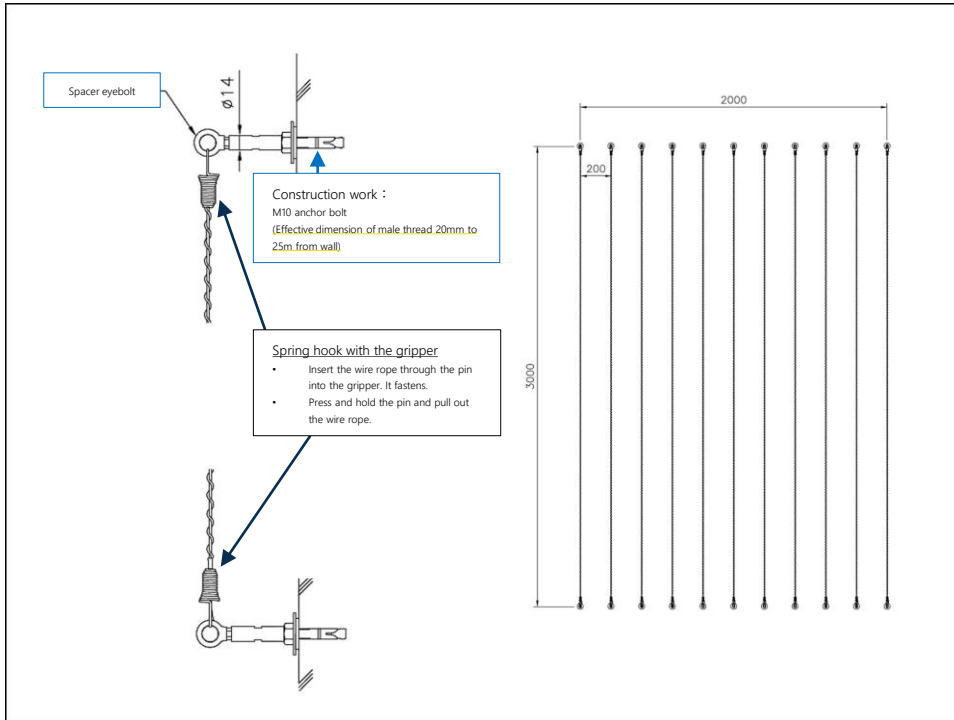
Not included : anchor rod M10



Approx. 5,000 or less	Approx. 5,000 to 8,000
<ul style="list-style-type: none"> Spiral Wire Rope Set (5,000 or less) 	<ul style="list-style-type: none"> Spiral Wire Rope Set (5,000 to 8,000) Spacer eyebolt (middle) * installation recommended
<ul style="list-style-type: none"> Spiral Wire Rope Roll (cut to 5,000 or less) Spring with grip × 2 pieces 	<ul style="list-style-type: none"> Spiral Wire Rope Roll (cut to 5,000 to 8,000) Spring with grip × 2 pieces Spacer eyebolt (middle) * installation recommended

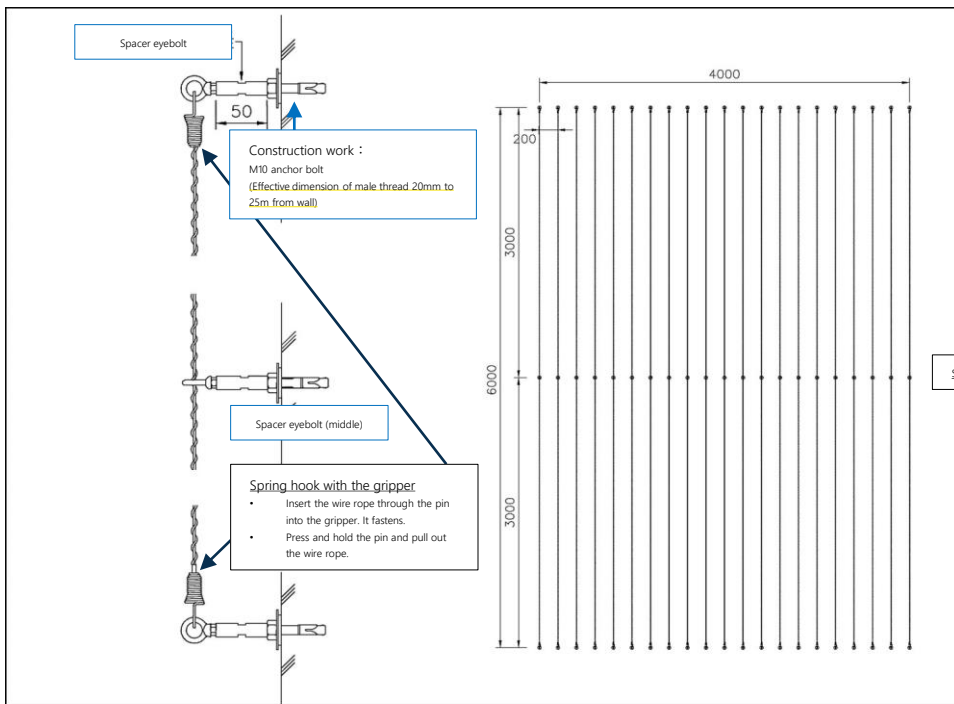
Approx. 5,000 or less

<p>Example : W2,000 × H3,000 ※wire rope spacing@200</p>	<ul style="list-style-type: none"> Standard wire rope spacing is about @200~300
<ul style="list-style-type: none"> Spiral Wire Rope Roll 100m × 1 roll Spring with grip × 20 pieces etc. 	



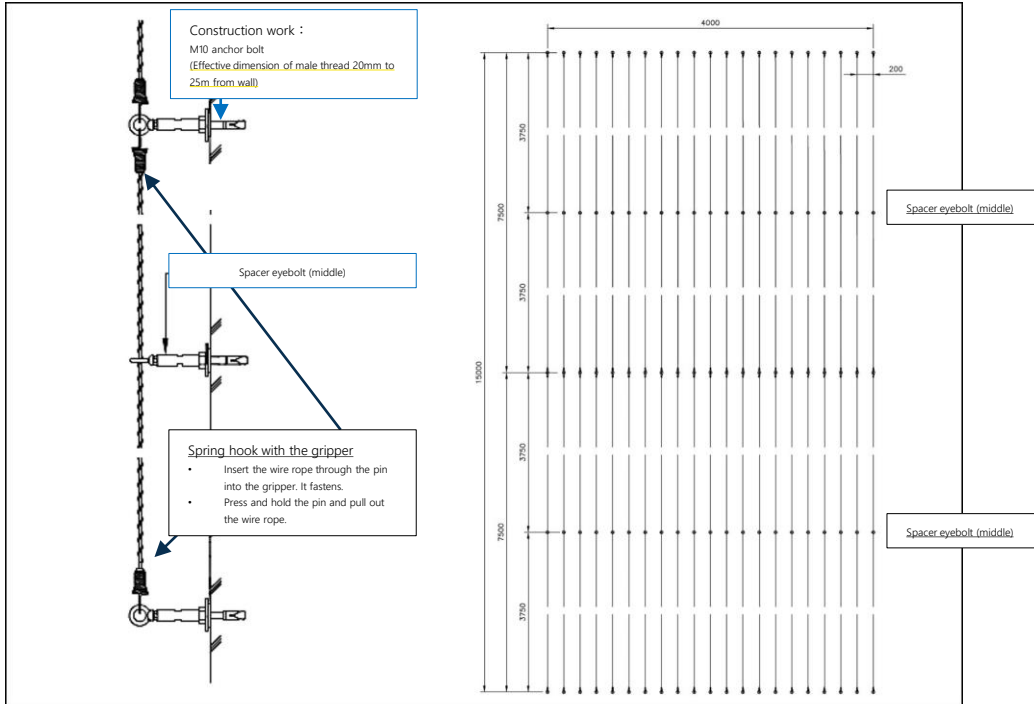
Approx. 5,000 to 8,000

<p>Example : W4,000 × H6,000 ※wire rope spacing@200</p>	<ul style="list-style-type: none"> Installation recommended : Spacer eyebolt (middle) Standard wire rope spacing is about @200~300
<ul style="list-style-type: none"> Spiral Wire Rope Roll 100m × 2 rolls Spring with grip × 40 pieces etc. 	



Approx. 8,000 or more

<p>Example : W4,000 × H15,000 ※wire rope spacing@200</p>	<ul style="list-style-type: none"> • <u>Installation recommended</u> : <u>Spacer eyebolt (middle)</u> • Standard wire rope spacing is about @200~300
<ul style="list-style-type: none"> • Spiral Wire Rope Roll 100m × 4 roll • Spring with grip × 80 pieces etc. 	



DIY kit (spiral wire rope set + spacer eyebolt)



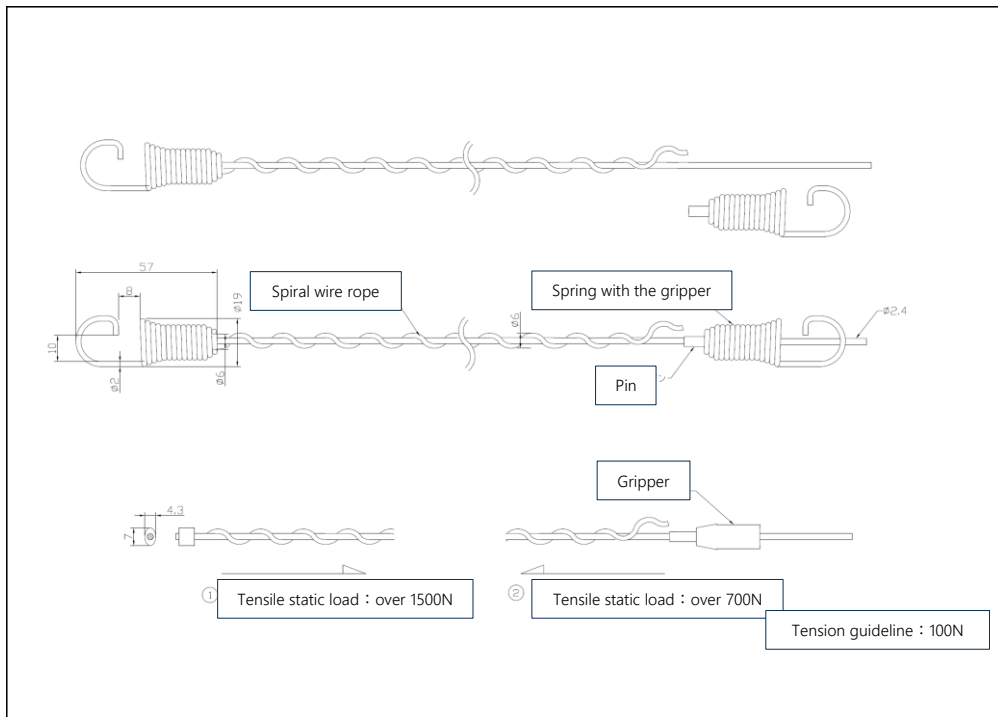
Spiral wire rope set



Spacer with eyebolt

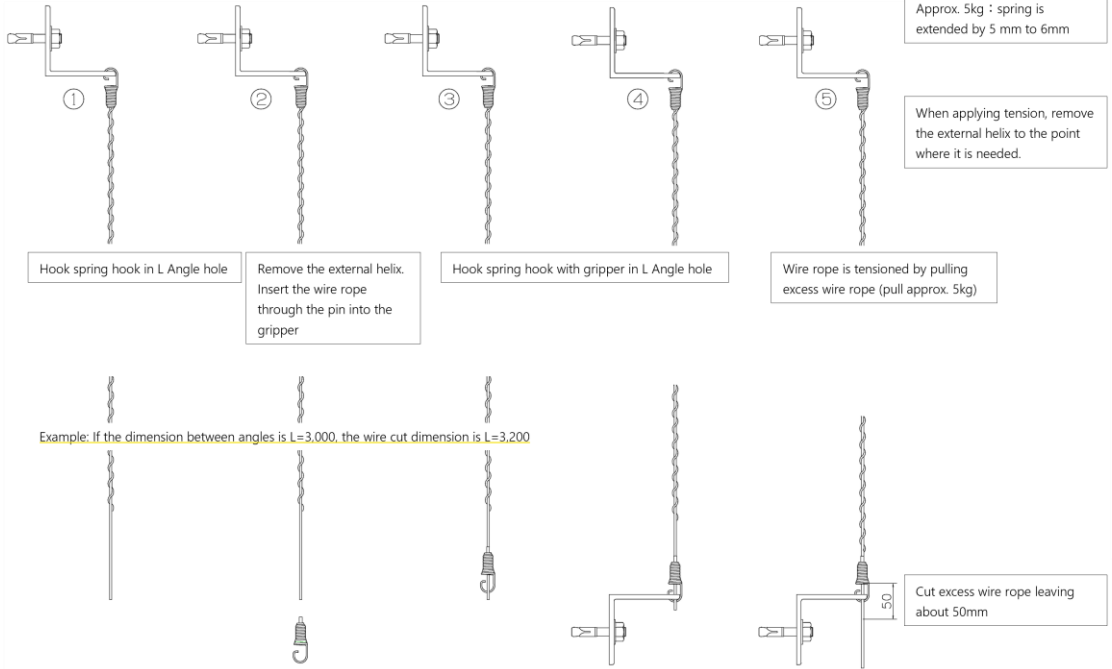
	SWS-10	SWS-30	SWS-50	SWS-70	SWS-90	Spacer with eyebolt
Wire length	L=1,000	L=3,000	L=5,000	L=7,000	L=9,000	-
Material	Wire rope : SUS 304 (7×7, 12 Nylon resin coating), Metal : SUS, Grip : brass					Material : SUS304, brass, Finishing touches : nickel plating
Weight	Both end fittings : 35g/set, Wire : 25g/m					
Included	Spring hook and spring hook with gripper					Eyebolt : M6, Inch method : pillar part L=50mm, Anchor used : M10 (female thread effective dimension 15mm), two spacer with eyebolt are required per wire (both ends)
Note	Wire rope size : $\phi 6$ (core wire : $\phi 2.4$)					
DIY kit_1	1	-	-	-	-	2
DIY kit_2	-	1	-	-	-	2
DIY kit_3	-	-	1	-	-	2
DIY kit_4	-	-	-	1	-	3
DIY kit_5	-	-	-	-	1	3

* For wire lengths longer than 5,000mm, we recommend installing eyebolts in the middle of the wire to prevent it from swaying.



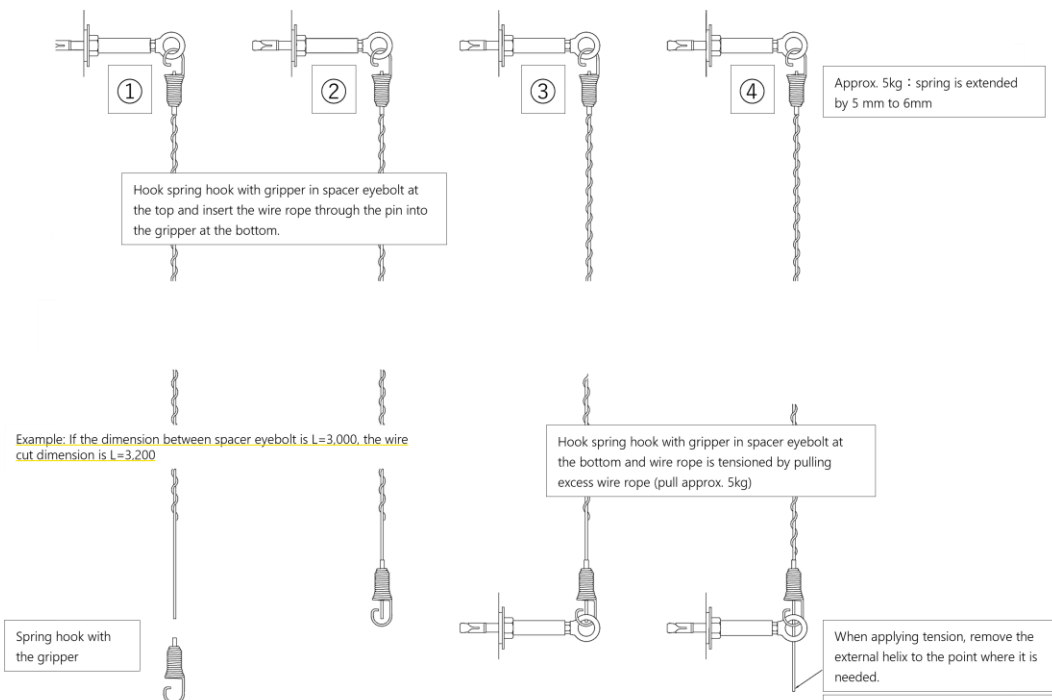
Work Instruction : DIY kit

L Angle × Spiral Wire Rope Set



Easy to tension the wire rope while lifting the spring gripper

Spacer eyebolt × Spiral Wire Rope Set



Easy to tension the wire rope while lifting the spring gripper

Case Study



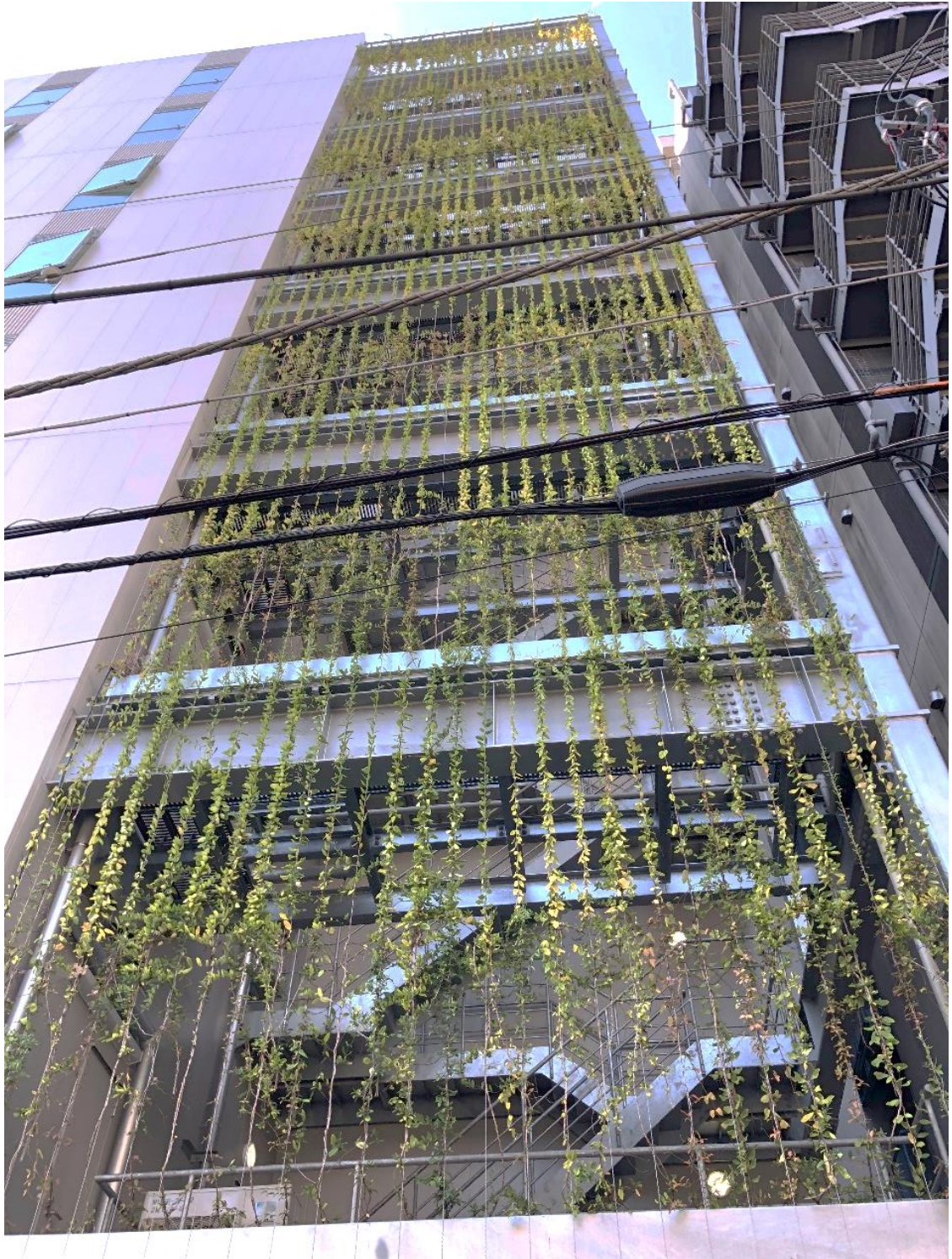
Location	Ariake Garden (Tokyo, shopping mall)
Specification	Spiral Wire Rope Set (about 9,000 used) × L Angle



Location	Ariake Garden (Tokyo, shopping mall)
Specification	Spiral Wire Rope Set (about 9,000 used) × L Angle



Location	Kichijoji Station (Tokyo, station)
Specification	Spiral Wire Rope Set x L Angle



Location	Office building (Tokyo, office building)
Specification	Spiral Wire Rope Set (3 or 4 vertical connections) × L Angle



Location	Lantenne Yotsuya (Tokyo, Condominium)
Specification	Spiral Wire Rope Set × Spacer with eyebolt



Location	Company (Tokyo)
Specification	Spiral Wire Rope × L Angle

ULG ULTIMA Co.,Ltd.
Ultima Line Grip